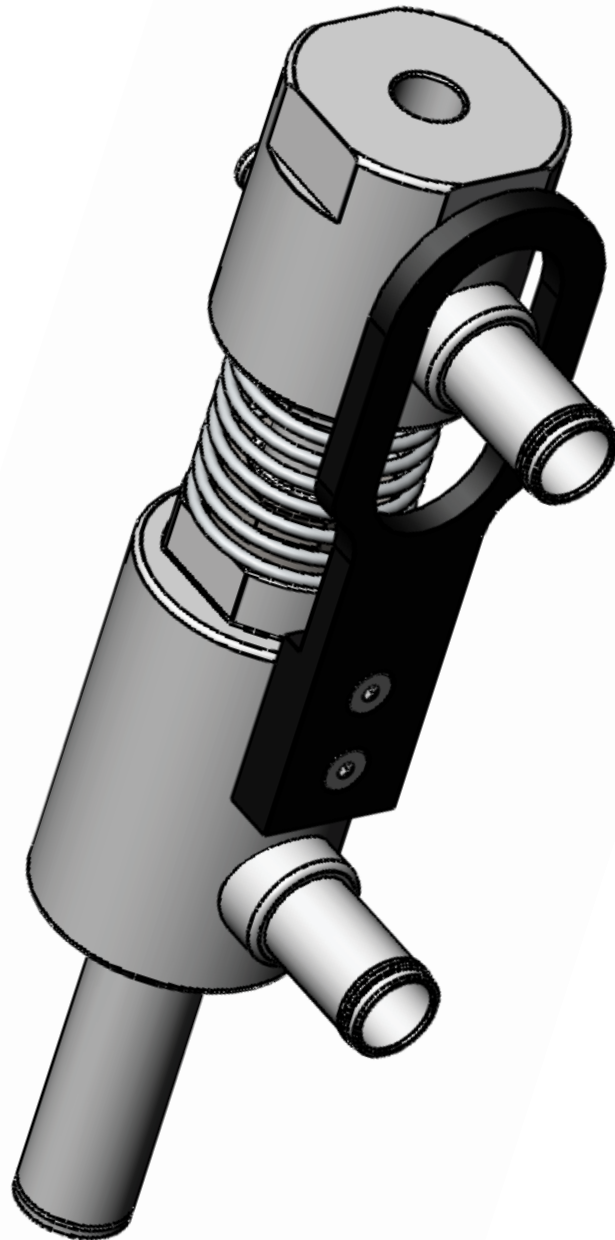


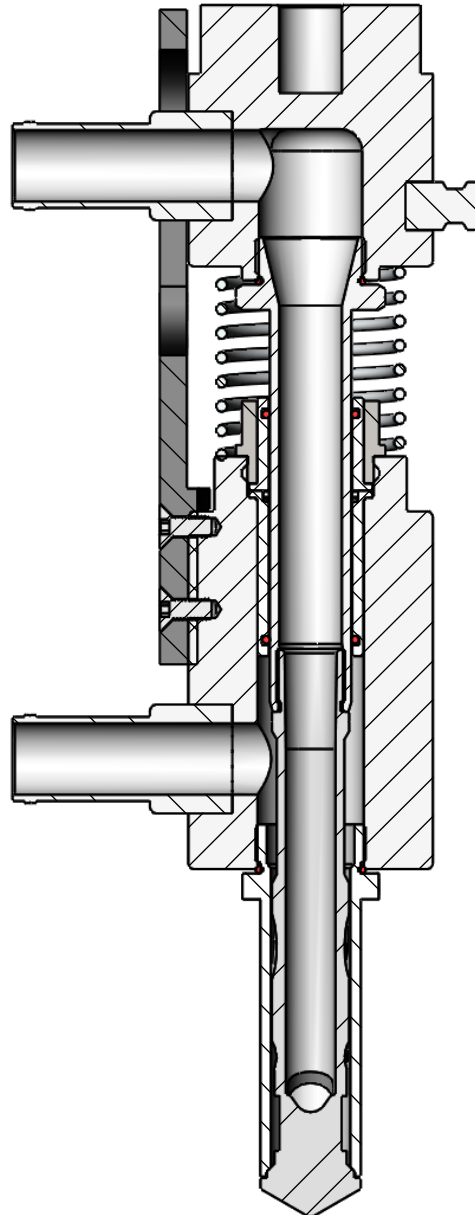
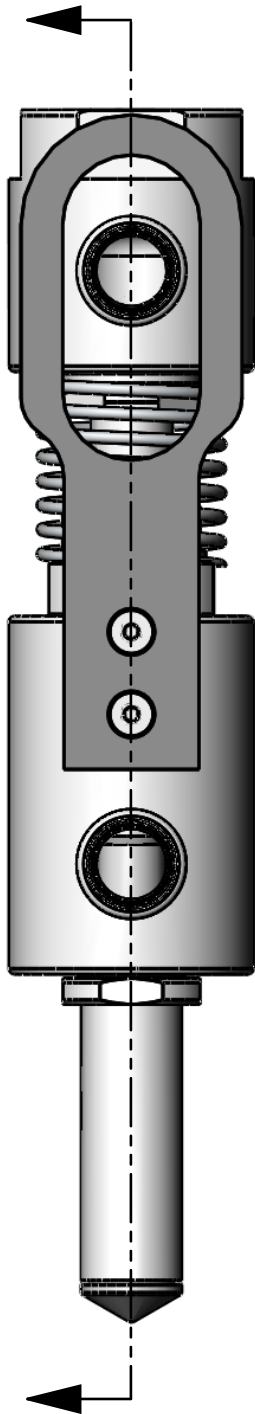


# STANDARD FILLING VALVE OVERVIEW



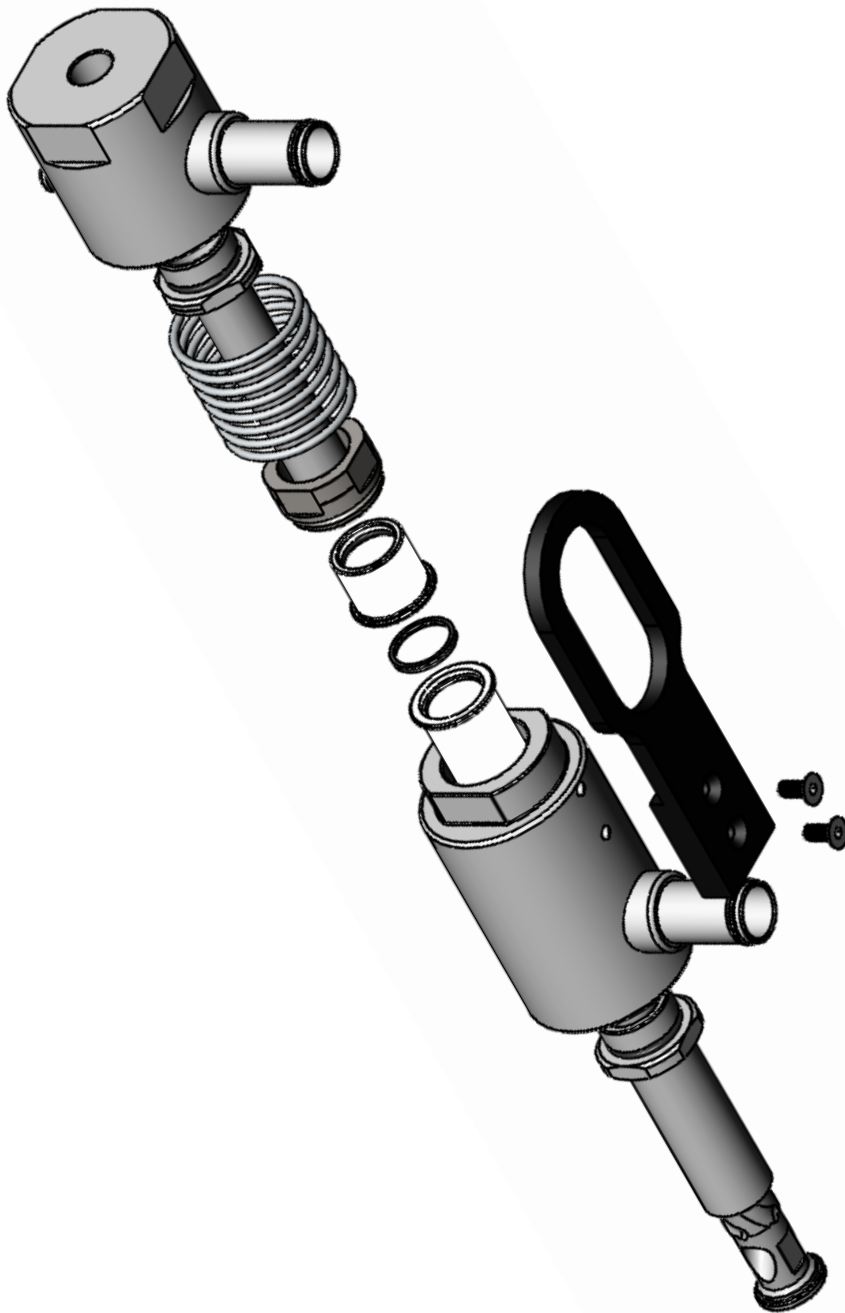


# STANDARD FILLING VALVE OVERVIEW



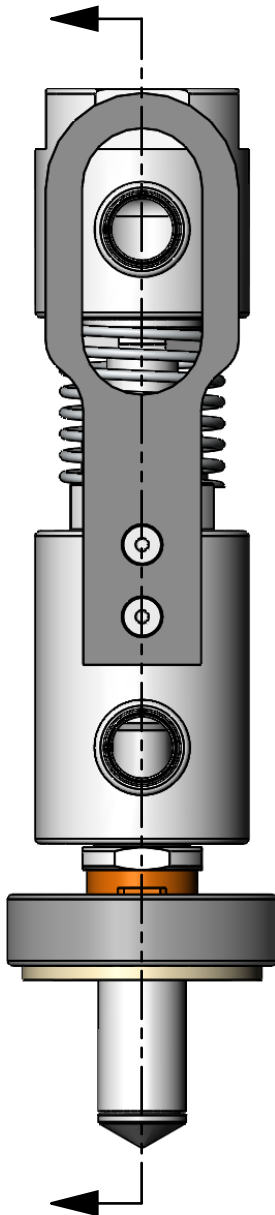


# STANDARD FILLING VALVE OVERVIEW

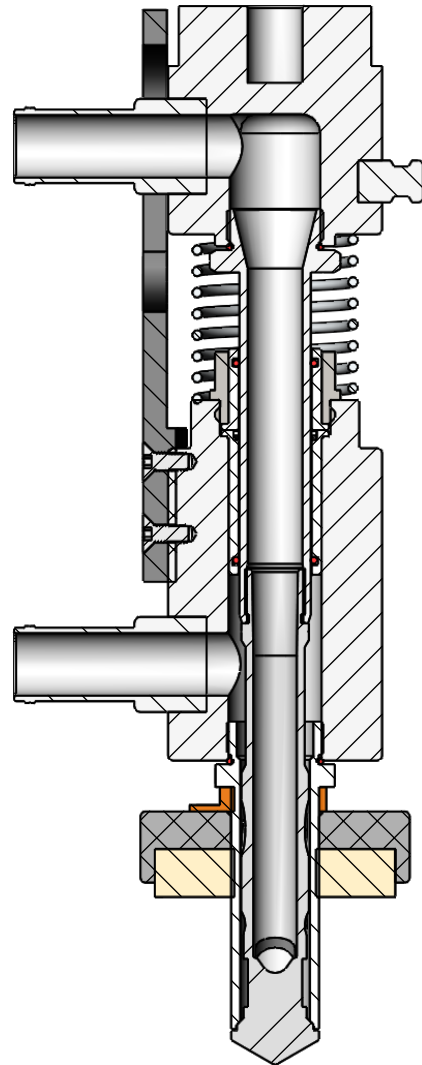




# STANDARD FILLING VALVE OVERVIEW

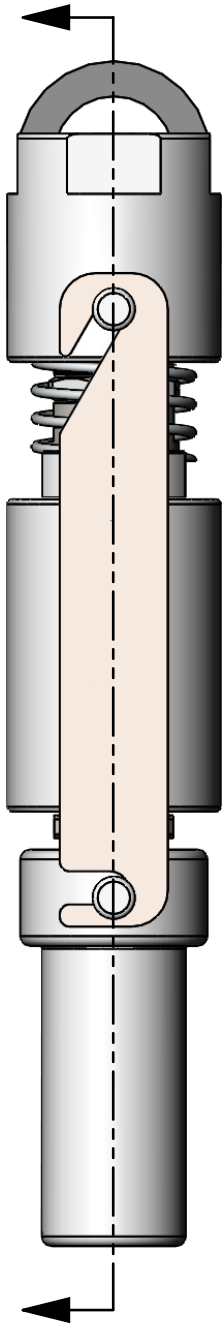


SEAL, SEAL BACKING  
PLATE INSTALLED  
WITH SHIM FOR  
ON-THE-FLY FILL  
LEVEL ADJUSTMENT





# STANDARD FILLING VALVE OVERVIEW



CIP CUP INSTALLED  
USING CLIP WITH  
INTEGRATED PIN

